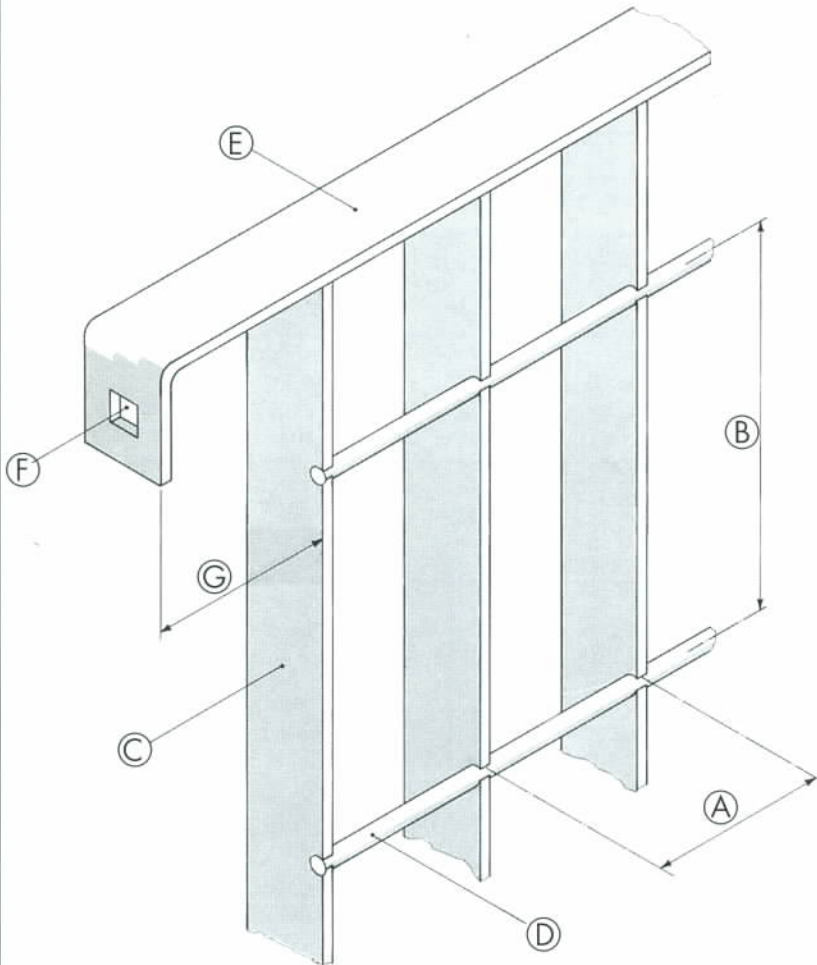


# BRITOSTEROPE®

## RECTANGULAR HEAVY STYLE



Ⓐ = 2 7/16"  
= 62 mm.  
spacing of vertical sections

Ⓑ = 5 3/16"  
= 132 mm.  
spacing of horizontal ties

Ⓒ = 1 3/16" x 5/32"  
= 30 x 4 (mm.)  
vertical section measurements

Ⓓ = 1/4"  $\phi$   
= 6.5 mm.  $\phi$   
horizontal tie

Ⓔ = 1 3/16" x 5/32"  
= 30 x 4 (mm.)  
framing bar  
welded by electrofusion without  
additional weld material

Ⓕ = 7/16"  $\square$   
= 11.2 mm  $\square$   
hole

Ⓖ  
projection of lead flange  
(see table on back)



MODULAR SYSTEM



GAUVANIZATION



COLOR



VISION ACCESS

MATERIAL: STEEL ASTM A-36

### BRITOSTEROPE®

# BRITOSTEROPE

HEAVY RECTANGULAR STYLE



ORSOGRILL  
A&T IRON WORKS, INC.

25 Cliff Street

New Rochelle

NY 10801-1603

1-800-523-0973

914-632-8992

Fax 914-632-2645

E-mail: [info@atironworks.com](mailto:info@atironworks.com)

Website: [atironworks.com](http://atironworks.com)