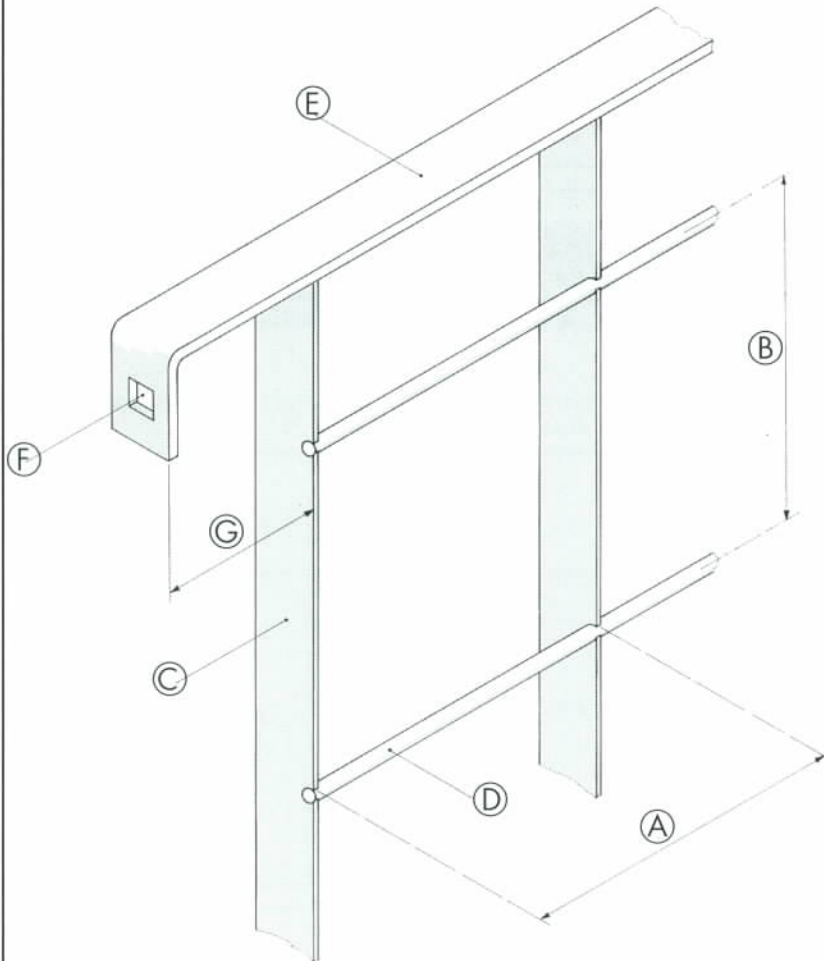


ALCIONE®

LARGE SQUARE STYLE

ALCIONE

LARGE SQUARE STYLE



Ⓐ = $4 \frac{7}{8}$ "
= 124 mm.

spacing of vertical sections

Ⓑ = $5 \frac{3}{16}$ "
= 132 mm.

spacing of horizontal sections

Ⓒ = $\frac{31}{32}$ " x $\frac{1}{8}$ "
= 25 x 3 mm.

vertical section measurements

Ⓓ = $\frac{3}{16}$ " ϕ
= 5 mm. ϕ

horizontal tie

Ⓔ = $\frac{31}{32}$ " x $\frac{1}{8}$ "
= 25 x 3 (mm.)

framing bar
welded by electrofusion without
additional weld material

Ⓕ = $\frac{7}{16}$ " \square
= 11.2 mm \square

hole

Ⓖ
projection of lead flange
(see table on back)



MODULAR SYSTEM



GALVANIZATION



COLOR



VISION ACCESS

MATERIAL: STEEL ASTM A-36

ALCIONE®



ORSOGRIL
A&T IRON WORKS, INC.

25 Cliff Street

New Rochelle

NY 10801-1603

1-800-523-0973

914-632-8992

Fax 914-632-2645

E-mail: info@atironworks.com

Website: atironworks.com