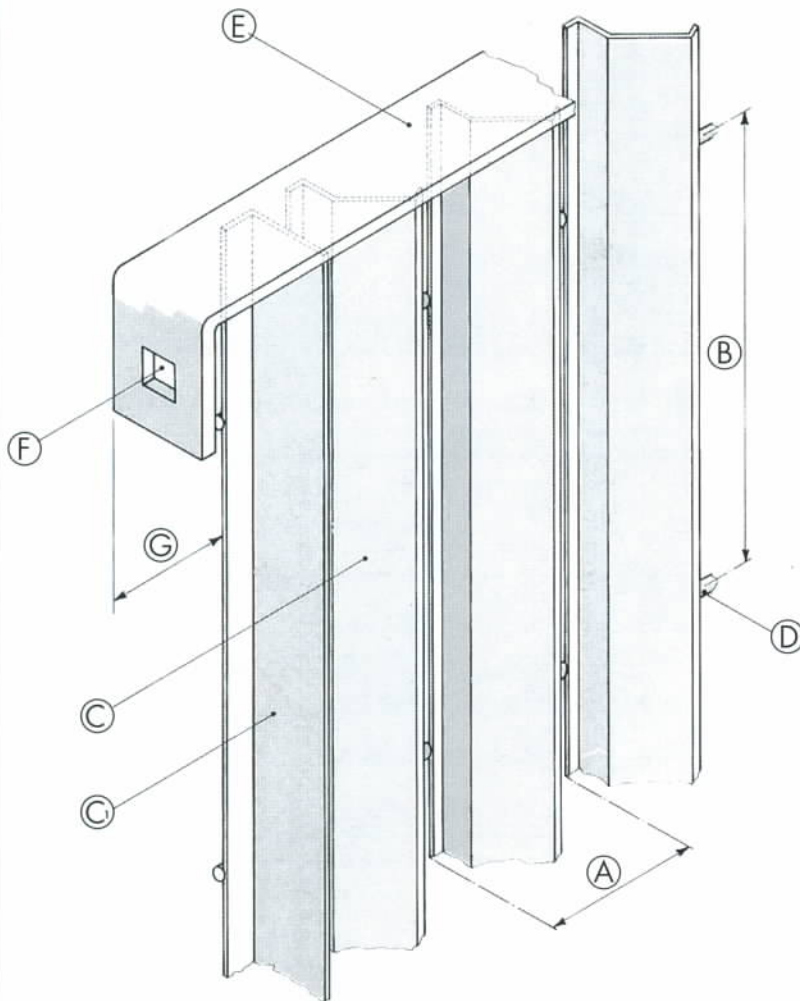


**TALIA®**

**LOUVER  
STYLE**

**TALIA**  
LOUVER STYLE



**(A) = 1<sup>13</sup>/<sub>16</sub>"**  
**= 46 mm.**

spacing of vertical sections

**(B) = 5<sup>7</sup>/<sub>32</sub>"**  
**= 132.5 mm.**

spacing of horizontal ties

**(C) = 1<sup>31</sup>/<sub>32</sub>" x 1<sup>1</sup>/<sub>16</sub>"**  
**= 50 x 1.5 (mm.)**

vertical section measurements

**(C) = 3<sup>1</sup>/<sub>32</sub>" x 1<sup>3</sup>/<sub>32</sub>" x 3<sup>3</sup>/<sub>32</sub>"**  
**= 25 x 10 x 2 (mm.)**

external sections

**(D) = 5<sup>3</sup>/<sub>32</sub>"  $\phi$**   
**= 11.2 mm.  $\phi$**

horizontal tie

**(E) = 1<sup>3</sup>/<sub>16</sub>" x 5<sup>5</sup>/<sub>32</sub>"**  
**= 30 x 4 (mm.)**

framing bar

**(F) = 7<sup>7</sup>/<sub>16</sub>"  $\square$**   
**= 11.2 mm  $\square$**

hole

**(G)**  
projection of lead flange  
(see table on back)



25 Cliff Street

New Rochelle

NY 10801-1603

1-800-523-0973

914-632-8992

Fax 914-632-2645



MODULAR SYSTEM



GALVANIZATION



COLOR

MATERIAL: STEEL ASTM A-36

**TALIA®**

E-mail: [info@atironworks.com](mailto:info@atironworks.com)

Website: [atironworks.com](http://atironworks.com)